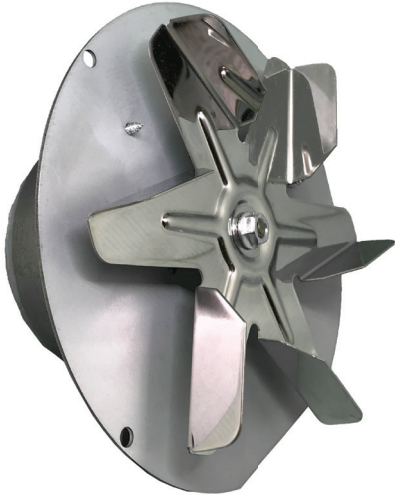


# VBH-150

Centrifugal smoke extractor fan. Wheel diameter 150 mm.  
 Power supply: 230V 50Hz



Centrifugal Smoke extractor fans with impeller 150 mm.

**Application:** Extraction of high temperature exhaust smoke from the solid fuel boiler, pallet stove or other type of heating equipment

**Material:** Fanblade – stainless steel  
 Motor shaft – stainless steel  
 Insulation class – F

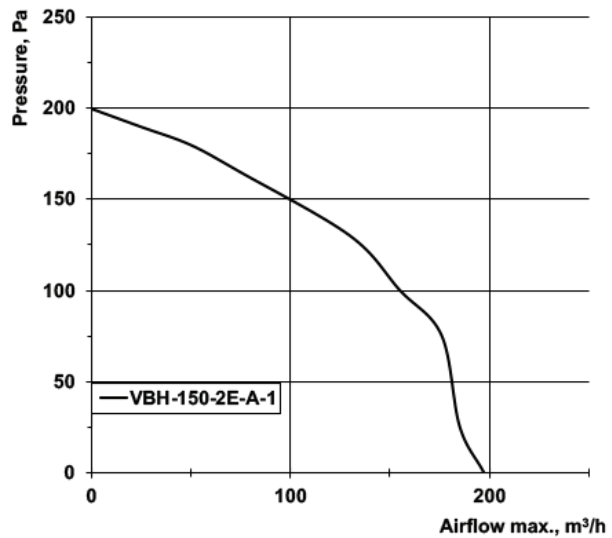
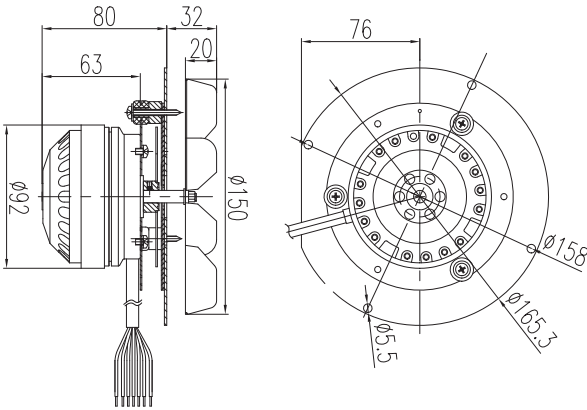
**Ball Bearing Temperature around the motor:** -30 +90°C

**Temperature of the exhaust air:** 250°C max

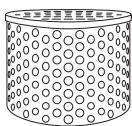
**Hall sensor**



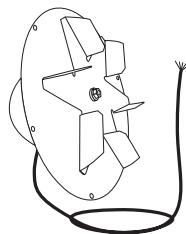
Type	Power input, W	Air flow, m³/h	Static pressure, Pa	Speed, min <sup>-1</sup>	Motor capacitor, µF	Weight, kg
VBH-150-2E-A-1	33	196	200	2400	1	1,7



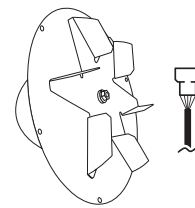
## Additional options



Protection Cover



Longer Cable



Terminal Socket

# VBH-180

Centrifugal smoke extractor fan. Wheel diameter 180 mm.  
 Power supply: 230V 50Hz



Centrifugal Smoke extractor fans with impeller 180 mm.

**Application:** Extraction of high temperature exhaust smoke from the solid fuel boiler, pallet stove or other type of heating equipment

**Material:** Fanblade – stainless steel  
 Motor shaft – stainless steel  
 Insulation class – F

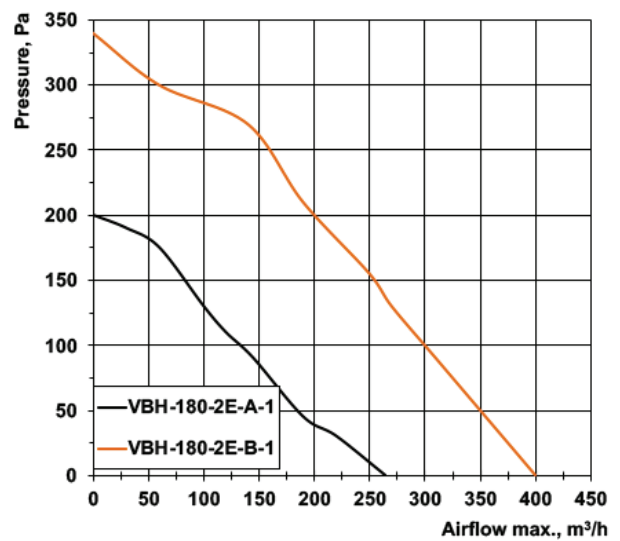
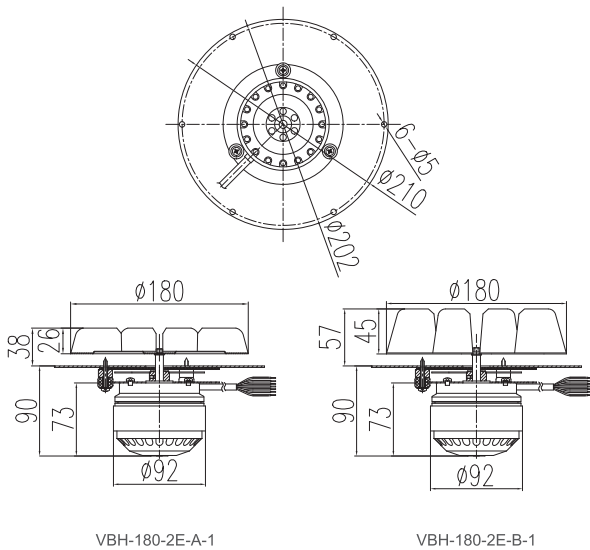
**Ball Bearing Temperature around the motor:** -30 +90°C

**Temperature of the exhaust air:** 250°C max

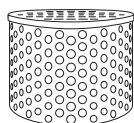
**Hall sensor**



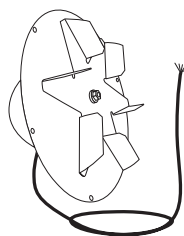
Type	Power input, W	Air flow, m³/h	Static pressure, Pa	Speed, min⁻¹	Motor capacitor, µF	Weight, kg
VBH-180-2E-A-1	40	264	200	2200	2	2,1
VBH-180-2E-B-1	74	400	340	2480	2	2,3



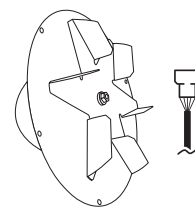
## Additional options



Protection Cover



Longer Cable



Terminal Socket