



VFS-160

Forward curved centrifugal blowers in aluminum housing
 Short mounting flange
 Wheel diameter 160 mm
 Power supply: 230V 50Hz



Application: household and industrial heating systems

Temperature range: from -25 to +50 °C

Material: Electric motor – EC external rotor motor
 Housing – die cast aluminum alloy
 Impeller – galvanized steel

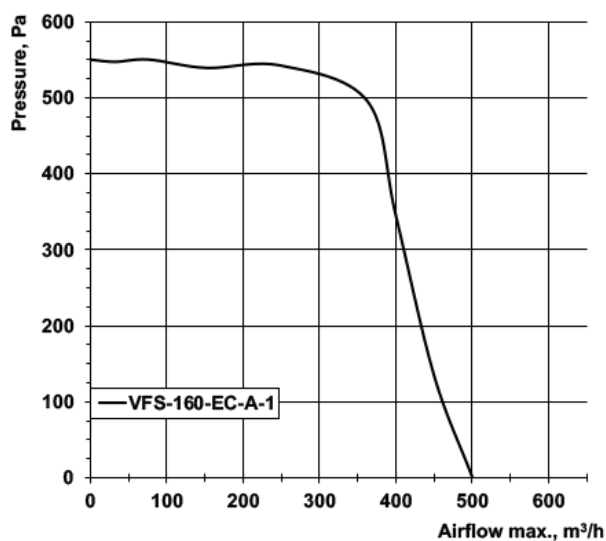
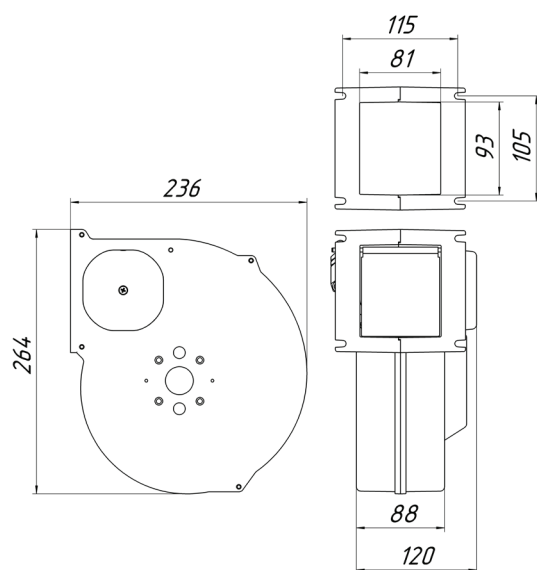
Insulation class: «B»

Bearings: industrial ball bearings, maintenance-free

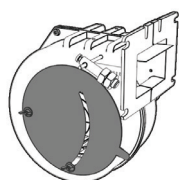
Operation mode: continuous duty (S1)



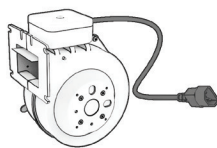
Type	Power input, W	Air flow, m³/h	Static pressure, Pa	Speed, min ⁻¹	Speed Control	Weight, kg
VFS-160-EC-A-1	200	500	550	2300	0-10V / PWM	3,8



Additional options



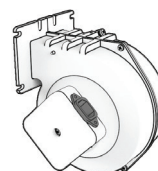
Shutter



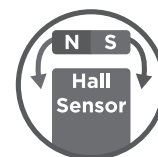
Longer Cable



Black Color Housing



IEC Socket



Hall Sensor