

# VBX-180



Centrifugal Smoke extractor fan in steel housing

Wheel diameter: 180 mm

Power supply: 230 V, 50 Hz

**Material:** Fanblade – stainless steel  
Motor shaft – stainless steel  
Insulation class – «F»

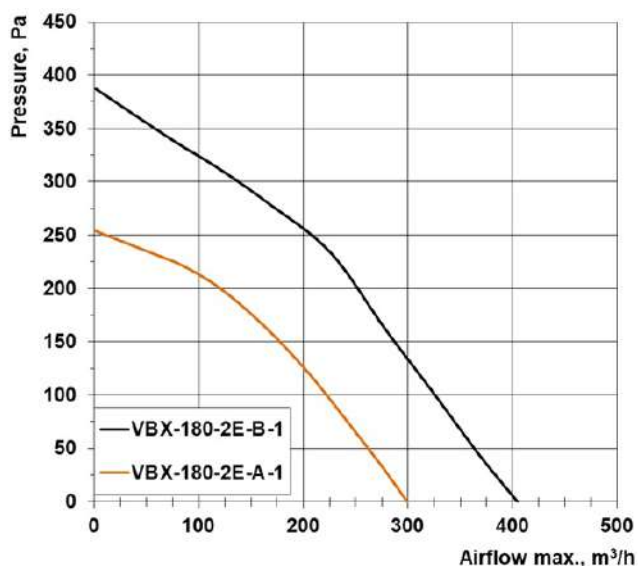
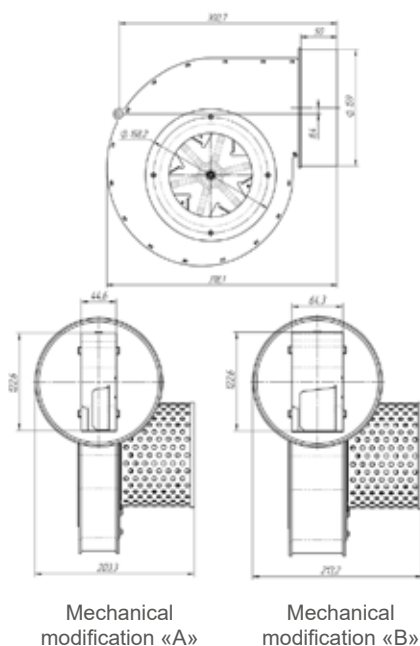
**Temperature range:** -30 +90 °C

**Temperature of the exhaust air:** 250° C max.

**Hall sensor**



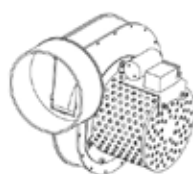
Type	Power input, W	Air flow, m³/h	Static pressure, Pa	Speed, min <sup>-1</sup>	Motor capacitor, µF	Weight, kg
VBX-180-2E-A-1	40	300	250	2200	2	4,9
VBX-180-2E-B-1	77	404	387	2600	2	5,1



## Additional options



Longer Cable



4PIN Socket



Terminal Socket